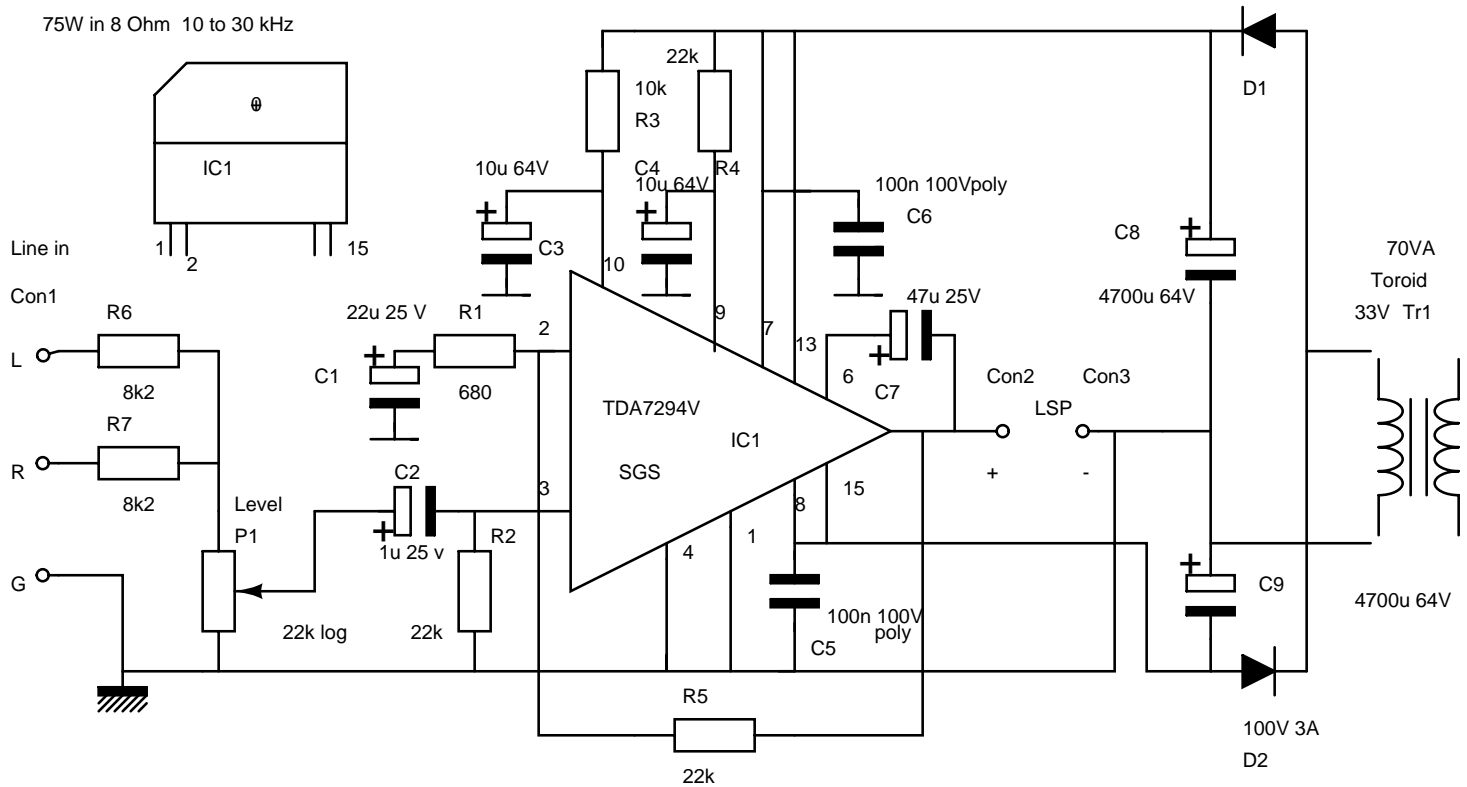


AUDIO UNIVERSAL POWER AMPLIFIER

75W in 8 Ohm 10 to 30 kHz



IC1 on heatsink < 3 degr Celcius / Watt

Delivers 75 W RMS in 8 Ohm with no clipping.

short circuit and overload protection

100 % stable

